

PORTO 600 SERIES

High-performance LED lighting for freezer and chiller doors



Say goodbye to dark spots and hello to a new era of low-energy, high-brightness freezers and chillers with vibrant colours to tempt your customers.

THE PORTO FAMILY



PORTO 600 product range

Designed specifically for freezers to deliver industry-leading performance in terms of uniformity of brightness and total cost of ownership.



PORTO 610 product range

Designed specifically for chillers with 1.25m mullion spacing using a discreet ultra-slim profile that fills the case with the brightest and most uniform light in the industry.



bring food to life!
www.nualight.com



PORTO 600 SERIES

Stunning and sustainable food displays with Porto

- Up to 65% energy savings when compared with fluorescent.
- Designed for high performance in freezers and chillers with glass doors.
- Custom-designed optics for industry-leading uniformity of brightness, no dark spots.
- High CRI for exceptional vibrancy of colour in packaged food on display.
- Guaranteed maintenance-free & 100% consistency for 8yrs @ 16 hours per day operation.



Individualised LED lighting for your store

Nualight offers the most versatile LED lighting system in the industry so you can tailor lighting for your brand image, store format, case type and food display.

PORTO 600

	APPLICATION	LENGTH	PROFILE	COLOUR TEMPERATURE	CENTRE ENERGY	END ENERGY	LUX	BEAM
Individualise your Porto 600	Any case type or display application	Any length up to 1.8m	55x27mm (centre) 42x27mm (end)	Warm white (CRI typically 80) Natural white (CRI typically 75) Cool white (CRI typically 75) R/W (CRI ≈ 85)	4.2W - 20.5W depending on length of fixture	4.2W - 10.9W depending on length of fixture	Average lux levels of 1080 for 750mm door.*	Side-emitting lenses
Choose a pre-optimised Porto 600	Freezer full glass door 1.5m	1.5m	55x27mm	Cool white: N12068, N12069, N12070	17.8W	9.7W		Side-emitting lenses
	Freezer full glass door 1.8m	1.7m	55x27mm	Cool white: N12051, N12061, N12071	19.1W	10.9W		
	Freezer half glass door 0.75m	0.75m	55x27mm	Cool white: N12091, N12101, N12111	8.5W	5.6W		

*Measurement taken on a 1.5m 4000K luminaire on a shelf 700mm long and positioned 150mm from luminaire.

PORTO 610

	APPLICATION	LENGTH	PROFILE	COLOUR TEMPERATURE	CENTRE ENERGY	END ENERGY	LUX	BEAM
Individualise your Porto 610	Any case type or display application	Any length up to 1.8m	31x24mm (centre) 25x24mm (end)	Warm white (CRI typically 80) Natural white (CRI typically 75) Cool white (CRI typically 75) R/W	7.7W - 42.6W depending on length of fixture**	7.7W - 22.5W depending on length of fixture**	Average lux levels of 1045 for 1250mm door.*	Side-emitting lenses
Choose a pre-optimised Porto 610	Chiller glass door 1.3m	1.3m	31x24mm	Natural white: N12258, N12259, N12260	30.1W	17.5W		Side-emitting lenses
	Chiller glass door 1.5m	1.5m	31x24mm	Natural white: N12993, N12994, N12995	35.1W	20.0W		
	Chiller glass door 1.8m	1.8m	31x24mm	Natural white: N12948, N12949, N12950	42.6W	22.5W		

*Measurement taken on a 1.5m 4000K luminaire on a shelf 1250mm long and positioned 150mm from luminaire.

**A Porto 610 Eco (low energy) version of this model is also available. Contact Nualight for details.

Product Details

PORTO 600

END



42mm

CENTRE



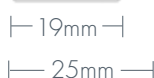
55mm

PORTO 610

END



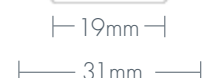
24mm



CENTRE



24mm

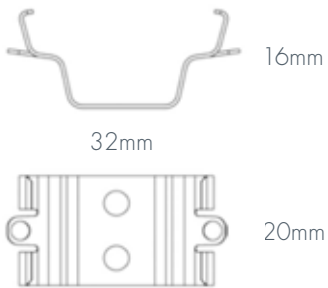


PORTO 600 SERIES

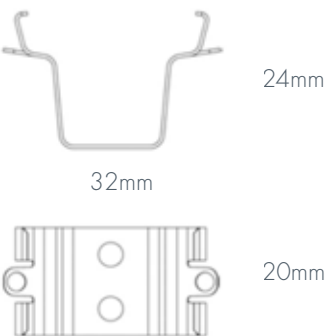
Mounting Options

Nualight collaborates with display manufacturers to design mounting systems that minimise installation time and optimise the lighting impact on food. For alternative mounting options, please contact your local Nualight representative.

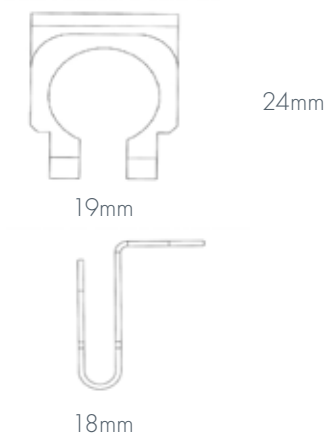
PORTO 600 STANDARD



PORTO 600 DEEP



PORTO 610 L BRACKET STANDARD



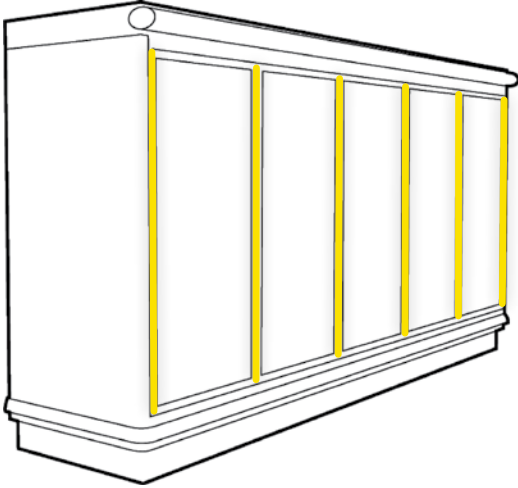
PORTO 600 SERIES

Increased accentuation

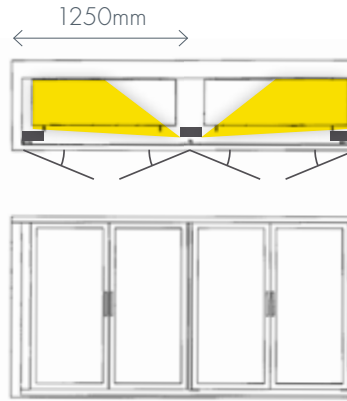
Nualight's LED lighting is designed to put the light exactly where it is needed, the food on display.

Our lighting fills the case with light, transforming it into a merchandising tool that drives sales.

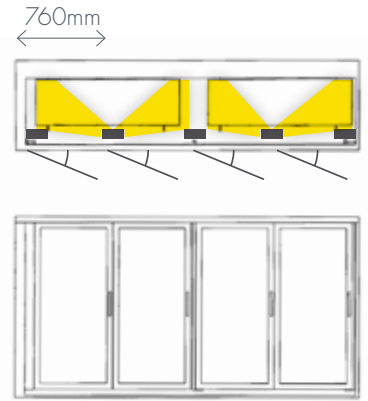
PORTO 600/610



PORTO 610



PORTO 600



The world's most versatile LED lighting system

Porto is part of Nualight's complete LED accent lighting solution - designed specifically for food retail - which incorporates point source and linear LED lighting. Nualight specialises exclusively in LED accent lighting for food retail, bringing retail expertise and innovation to the world's leading retailers.

Bring food to life with Nualight's complete LED accent lighting portfolio for food retail:

LINEAR LED LIGHTING

Integrated case lighting:

- Alto (canopy)
- Basso (nose)
- Centro (handrail)
- Largo (shelf)
- Mezzo (undercabinet)
- Porto (door)

Linear accent lighting:

- Track-mounted
- Suspended
- Recessed

POINT SOURCE LED LIGHTING*

Recessed

Surface-mounted

Suspended

* Launching Q3 2011



NUALIGHT

www.nualight.com